

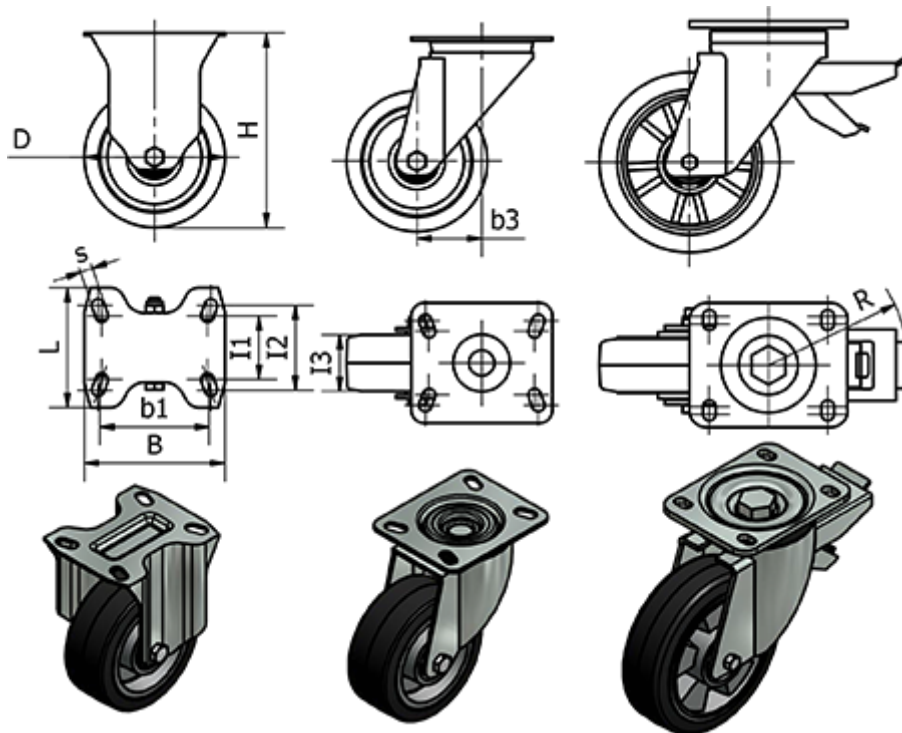
Data Sheet



Article number: 2314452785

Description: E+G Cast iron wheel 452785
RE.G2-100-PSL-H - Fixed plate

Measures



	= -	I1	= 60	Weight (g) = 131
B	= 100	I2	= -	
b1	= 80	I3	= 40	
b3	= 46	L	= 85	
Code	= 452785	R	= -	
D	= 100	Rolling resistance (N)	= 1800	
Dynamic carrying capacity (N)	= 1800	s	= 9	
H	= 138	Type	= RE.G2-100-PSL-H	